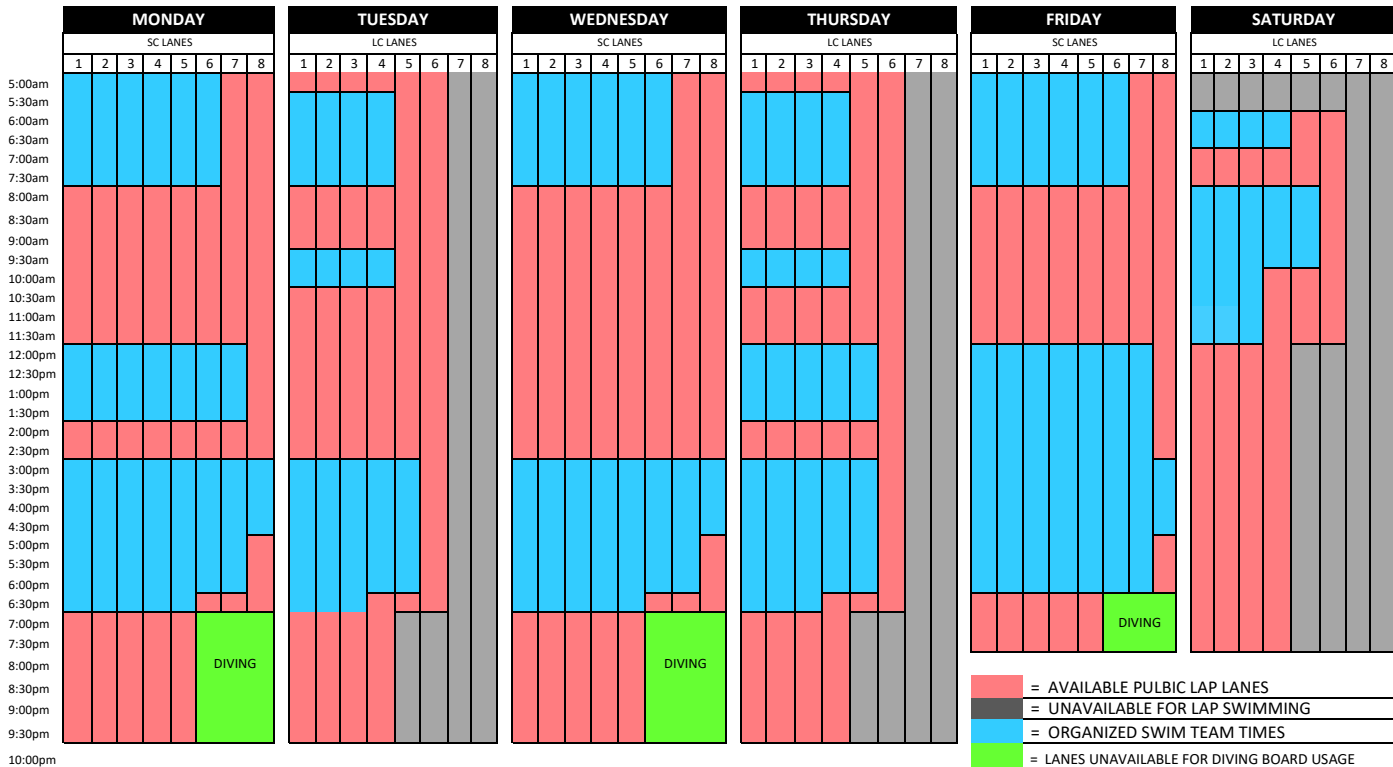
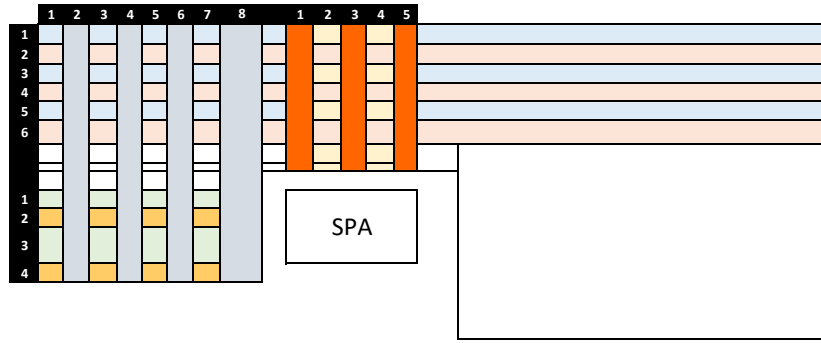


# 2021 GENERAL HOURS SPRING LAP LANE & AQUATIC PROGRAMMING SCHEDULE

## February 20, 2021 - May 29, 2021



COMPETITION POOL HOURS	
MONDAY - THURSDAY	5:00am - 10:00pm
FRIDAY	5:00am - 8:00pm
SATURDAY	6:00am - 8:00pm
DIVING BOARD AVAILABILITY	
MON	7:00pm - 10:00pm
TUES	6:30pm - 10:00pm
WED	7:00pm - 10:00pm
THUR	6:30pm - 10:00pm
FRI	6:30pm - 8:00pm
SAT	12:00pm - 8:00pm
On Tue., Wed., and Fri. the diving board may be open upon request and availability from 12:00pm - 3:00pm. Please see a lifeguard for permission and availability during these times.	
WATER AEROBICS	
MONDAY - FRIDAY	5:30am - 6:30am
	8:00am - 9:00am
	9:00am - 10:00am
MONDAY - THURSDAY PM CLASS	8:00pm - 9:00pm
SATURDAY	8:00am - 9:00am
PUBLIC SWIM LESSONS TIME	
MONDAY - THURSDAY	3:10pm - 6:00pm
ADULT SWIM PRACTICES	
TUES / THURS	5:30am - 6:30am
TUES / THURS	9:30am - 10:30am
SAT	6:00am - 7:00am



[americanfork.gov/fitness](http://americanfork.gov/fitness)